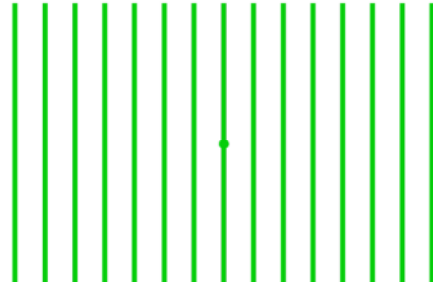


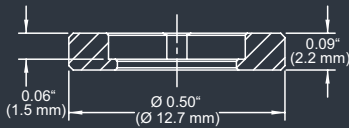
DE-R 350 Diffractive Optical Element



- **Element Number:** DE-R 350
- **Current Product Revision:** A
- Description: 15 Lines (Rectangular)
- Substrate Material: Polycarbonate (PC)
- Size (Ø x Thickness): 8 x 1.2 mm
- Design Wavelengths: 520 nm
- Recommended Wavelength Range: 480-550 nm
- Minimum Recommended Beam Diameter: 1.5-2 mm

MOUNTED VERSION

For testing or setups under laboratory conditions we offer a version mounted in 12.7 mm stainless steel frame for use with standard laboratory holders.



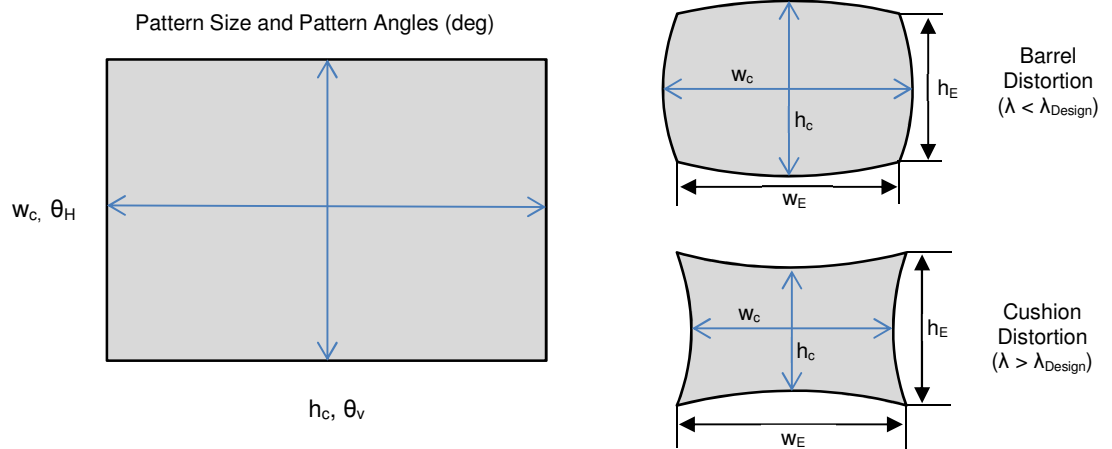
COLLIMATED / CONVERGING LASER

The laser can be collimated for long range use or converging for a fixed working distance.

Please note that the size/thickness of each spot or line depends on the focusing of the laser.

Within the recommended wavelength range, the zeroth order central spot is not visible on the line. This Large-angle pattern is subject to geometrical distortion due to its symmetry properties, if the DOE is used at laser wavelengths significantly different ($\Delta\lambda > 50\text{nm}$) from the design wavelength. Pattern size and pattern angles and the intensity in the undiffracted central spot ('zero order intensity', see reverse page) will vary most with the wavelength. Diffraction efficiencies given on this datasheet have been measured using elements of product revision A.

Geometry and Diffraction Angles

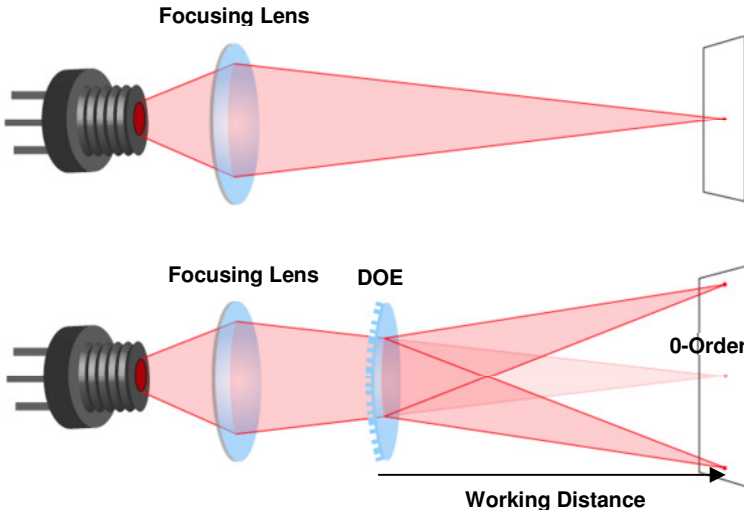


θ_H = horizontal angle, θ_V = vertical angle, h_c = center height, w_c = center width, h_E = edge height, w_E = edge width

If the DOE is used at laser wavelengths close to the design wavelength ($\Delta\lambda < 50\text{nm}$) the geometrical distortion is usually tolerable (see table below).

Wavelength	Pattern Size @ 100 mm Distance				Ratio corner-to-center		Pattern Angles	
	w_c	h_c	w_E	h_E	Width	Height	θ_H	θ_V
448 nm	36.1 mm	42.9 mm	35.8 mm	42.6 mm	99.2 %	99.4 %	20.5°	24.2°
520 nm	42.1 mm	50.2 mm	42.1 mm	50.2 mm	100 %	100 %	23.8°	28.2°
532 nm	43.2 mm	51.4 mm	43.2 mm	51.4 mm	100.1 %	100.1 %	24.4°	28.8°
592 nm	48.3 mm	57.6 mm	48.8 mm	58.0 mm	101.0 %	100.7 %	27.1°	32.2°
635 nm	52.0 mm	62.2 mm	52.9mm	62.9 mm	101.6 %	101.1 %	29.2°	34.6°
660 nm	54.2 mm	64.9 mm	55.3 mm	65.9 mm	102.0 %	101.4 %	30.3°	36.0°
685 nm	56.4 mm	67.7 mm	57.8 mm	68.8 mm	102.5 %	101.8 %	31.5°	37.4°

Setup



Laser diodes are the most common light source to be used with diffractive optical elements, but other laser light sources may also be used.

The DOEs are best used with collimated or convergent laser sources. The microstructure surface should be oriented towards the laser.

The 0-order spot is equivalent in size and shape to the original beam, but its power is attenuated.

Diffraction Zero Order Intensity:

Wavelength	0-Order Intensity (TM)
402	20%
448	7.2%
516	0.6%
532	0.6%
593	3.6%
638	7.7%
660	9.9%

