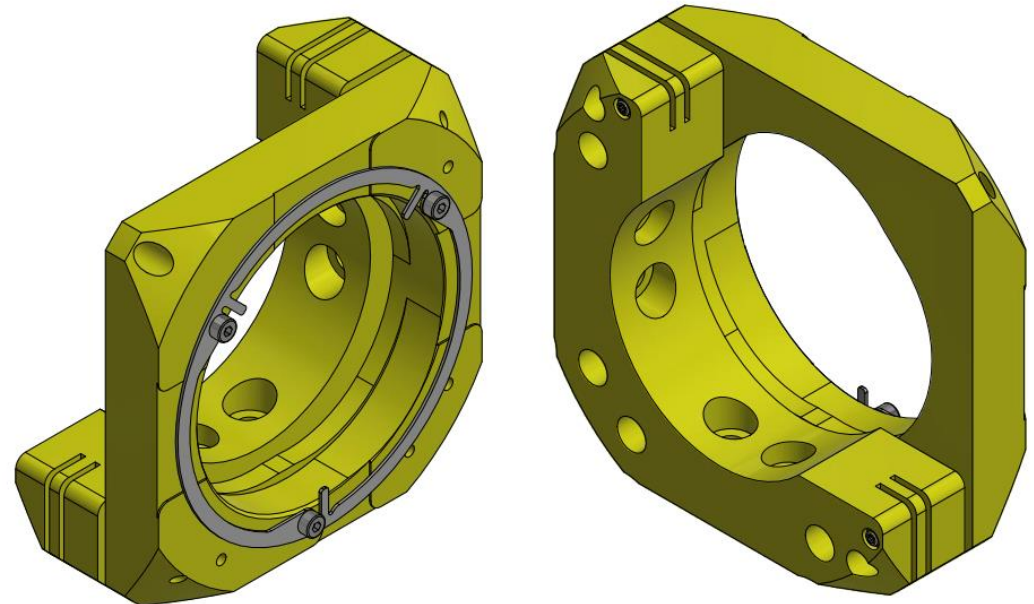


FOR INFORMATION ONLY
NOT FOR MANUFACTURING PURPOSES



GENS-2i INDUSTRIAL MIRROR MOUNT